

MM-3000E Series

RoHS



The MM-3000E series is a new highly functional mass flow meter, which has retained the diverse functions the MC-3000 series possesses. Used in combination with mass flow controllers, considerable improvements in reliability can be made.

Features:

- High functionality due to built in microprocessor
- High accuracy due to use of high resolution (16 bit) A/D, D/A converter
- Equipped with alarm output function as standard
- Equipped with alarm state LED display
- Equipped with auto zero function
- Equipped with general purpose digital interface (RS-232C or RS-485 conformity)
- Device numbers can be set
- Electrical compatibility with previous models preserved
- Compact body size
- Use of metal seals (Standard: Au, Optional: Pt)
- Precision polishing of body interior as standard

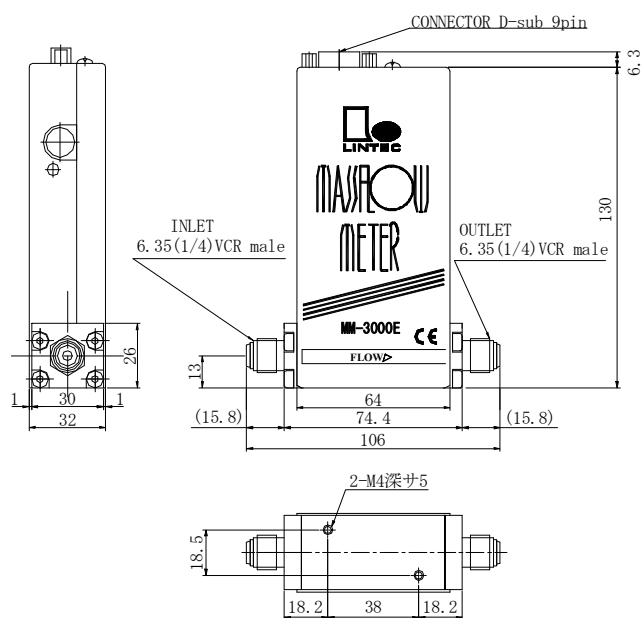
Applications:

- Connect in series with MFCs which require high reliability to monitor for flow rate abnormalities
- Flow rate measurements of corrosive gases
- Leak tester
- Flow monitor for combustible gases
- Standard flow rate instrument
- Flow rate measurements of various kinds of gases

MM-3000E Series

SPECIFICATIONS

Model	MM-3102E	MM-3202E	MM-3252E
Flow rate range	5SCCM - 5SLM	10, 20SLM	30, 50SLM
Response time (0 to 98%F.S.)		1 sec (typical)	
Accuracy		±1%F.S.	
Linearity		±0.5%F.S.	
Repeatability		±0.2%F.S.	
Withstand pressure		980kPa	
Operation temperature		0-50 °C	
Temperature coefficient	Zero point	±0.02%F.S./ °C	
	Span	±0.02%F.S./ °C	
Pressure coefficient		0.001%F.S./kPa	
Leak integrity		$1 \times 10^{-11} \text{Pa} \cdot \text{m}^3/\text{sec}$	
Materials exposed to gases	Body	SUS-316L	
	Seals	Au	
Standard fittings		6.35mm VCR Male	
Flow rate output signal		0-5V (proportional to flow rate)	
Set output signal		0-5V (proportional to flow rate)	
Alarm output		Open collector transistor output	
Digital interface		RS-232C or RS-485 conformity	
Power supply requirements		+15V 70mA, -15V 70mA	
Mounting direction		Free	



* This datasheet was created from the contents as of Sep 2008.
 * Specifications/descriptions may be modified without notice due to improvement.
 * Before shipping to a third country, consult LINTEC.

ORDERING INFORMATION

MM-3102E-AA-BB-CC-DD-EE
MM-3202E-AA-BB-CC-DD-EE
MM-3252E-AA-BB-CC-DD-EE

AA: Fitting

6.35 mm VCR
 IPC (C-seal)
 IPW (W-seal)

BB: Option

LEP (Surface polishing)
 SR (Small flow rate)
 WR (Wide range control)

CC: Gas to flow

DD: Full scale flow rate

EE: Unit of flow rate

SCCM (Standard ml/min at 0 °C)
 SLM (Standard l/min at 0 °C)



WARNING!! Read and understand completely the Operation Manual to secure your safety.

LINTEC CO., LTD.

<http://www.lintec-mfc.co.jp>

Corporate Headquarters

4-1-23 Sekinotsu, Otsu City, Shiga Pref. 520-2277 Japan
 Phone.+81-(0)77-536-2210 FAX.+81-(0)77-536-2215

Tokyo Branch Office

3F Hattori Build., 4-30-14 Yotsuya, Shinjuku-ku, Tokyo 160-0004 Japan
 Phone.+81-(0)3-5366-2801 FAX.+81-(0)3-3341-3513

LINTEC KOREA

#822 Sicox Tower, Sangdaewon-dong, Jungwon-gu,
 Seoungnam-si, Gyeonggi-do, 462-726, Korea
 Phone.+82-(0)31-732-2191 FAX.+82-(0)31-732-2194